



GOST

Special Features

- CE & Atex approved electrical contacts
- Stainless steel case & measuring system
- Filled version available
- Standard followed in general EN 837-1

Application

- To control the electrical operation of compressors
- Pumps
- Motors
- Presses
- Hydraulic
- Pneumatic equipments
- Chemicals
- Petrochemical plants

Specifications

Standard Version : 100 mm & 150 mm

Accuracy	: ±1.0% of F. S.
Ambient temperature	: - 20°C to + 65°C
Process temperature	: Max. 100°C
Electric wiring	: DIN Connector
Contact setting	: Over on arc of 270° through a knob placed on front of lens
Operating pressure range	: 75% of Scale Value
Over pressure limit	: Not Suitable

Case & Bezel	: AISI 304 SS (Bayonet Type)
Bourdon	: AISI 316L SS
Socket	: AISI 316L SS (Directly welded to case)
Movement	: AISI 304 SS
Joints	: Tig Argon Arc Welding

Protection	: IP 65
Dial	: Aluminum, black graduation on white background
Pointer	: Aluminum, black coloured micrometer zero adjustable
Window	: Polycarbonate Dome
Electrical Contacts*	: Refer How to Order
Blow off Disc	: Neoprene
Gasket & Filling Plug	: Neoprene

* Please specify contact set points while ordering.

Filled version - dielectric oil (option - ZZ)

Accuracy	: ±1.6% of F. S.
Ambient Temperature	: Maximum 65°C
Process Temperature	: +15°C / 65° C
Window	: Polycarbonate Dome
Blow off Disc*	: NBR
Gasket & Filling Plug*	: NBR
Dampening Liquids	: Dielectric Oil
Other Features	: Refer Specification of Standard Version

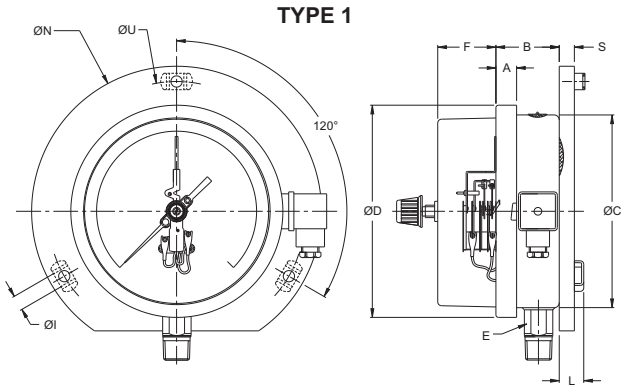
*BOD, Gasket & Filling plug of Viton.

Temperature effect:

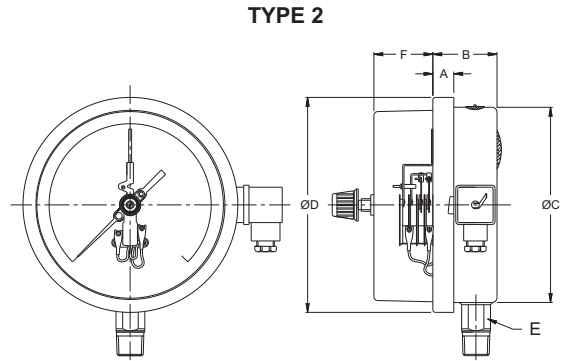
The variation of indication caused by effects of temperature is to be calculated by below formula; which is to be added in the specified accuracy while measurement :- Formula : $\pm 0.04 \times (t_2 - t_1) \%$ of F. S. where t_1 = reference temperature (+20°C) and t_2 = ambient temperature in °C.

Note : The addition of mechanical electric contacts affects the accuracy of instruments such that 1% becomes 1.5%, 1.6% becomes 2.4% etc. (Add the 50% of accuracy; If the contact is of the magnetically assisted type, this value can't be added within the $\pm 5\%$ of setting point.)

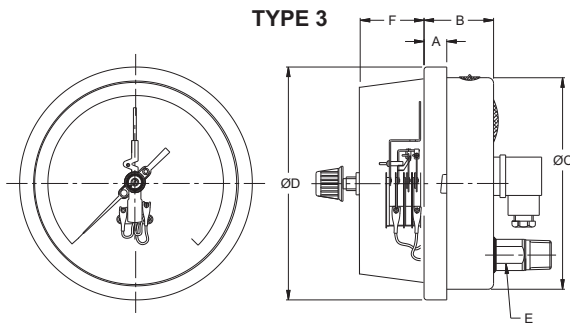
Dimensions - standard version



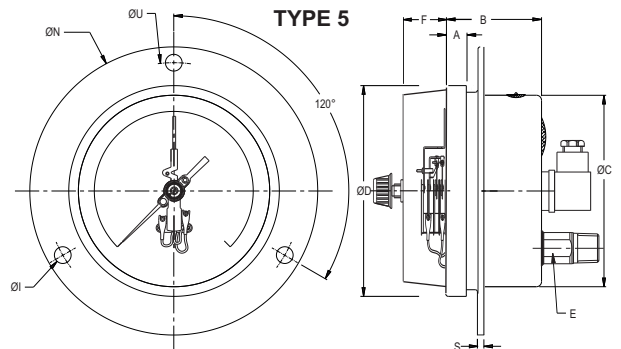
NS	A	B	ØC	ØD	E	F	ØI	ØN	ØU	L	S	Weight in gram (With Box)
100	12.5	45	100	111	22	44	6	134	118	14.5	6	890.0
150	15	46.5	149	161	22	44	6	186	168	14.5	6	1370.0



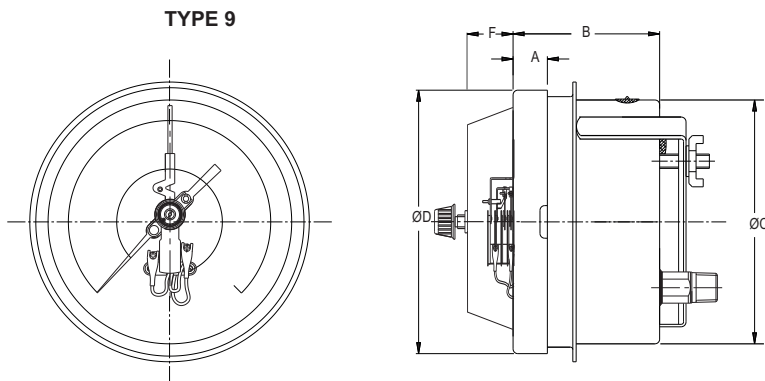
NS	A	B	ØC	ØD	E	F	Weight in gram (With Box)
100	12.5	47	100	111	22	44	800.0
150	15	49	149	161	22	44	1200.0



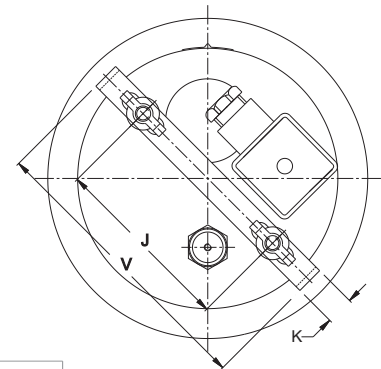
NS	A	B	ØC	ØD	E	F	Weight in gram (With Box)
100	12.5	47	100	111	22	44	790.0
150	15	49	149	161	22	44	1140.0



NS	A	B	ØC	ØD	E	F	ØI	ØN	ØU	Weight in gram (With Box)
100	12.5	47	100	111	A/F 22	44	6	134	118	860.0
150	15	49	149	161	A/F 22	44	6	186	168	1300.0



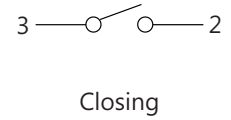
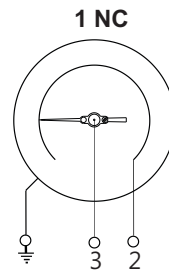
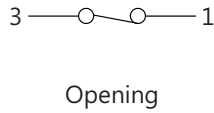
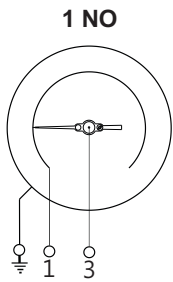
NS	A	B	ØC	ØD	E	F	J	K	V	Weight in gram (With Box)
100	12.5	47	100	111	A/F 22	44	72	16	108	870.0
150	15	49	149	161	A/F 22	44	106.5	16	166	1240.0



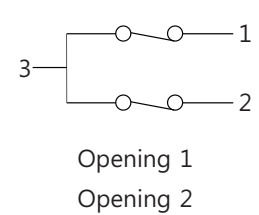
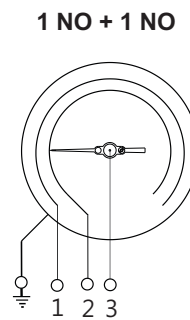
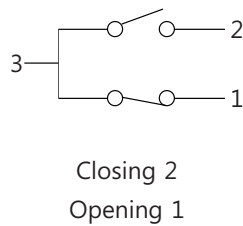
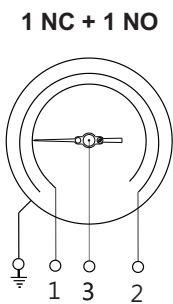
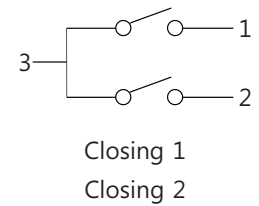
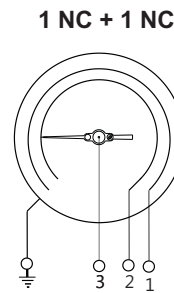
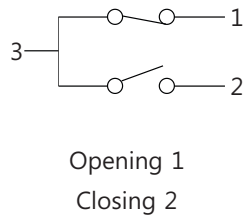
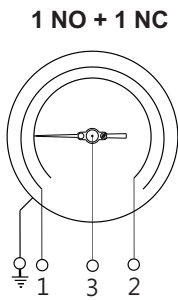
Range Table

Wiring diagrams for electric contacts

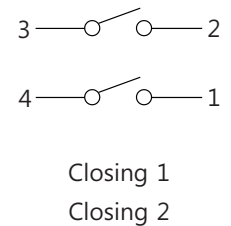
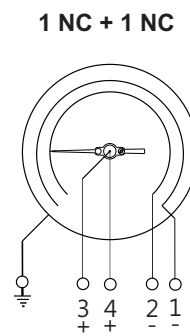
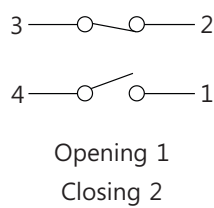
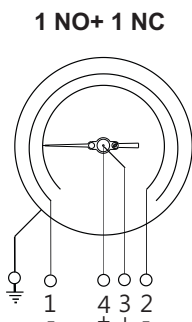
Single Contact



Double contact



Independent double contact



Range Table

Note : We offer Pressure, Vacuum and Compound ranges in Scales like kPa, MPa, bar, psi, kg/cm² & Dual Scale like kPa with psi, kPa with bar, bar with psi or scales as per the requirement can be provided on request. Following are the example tables for kg/cm² & psi scales

Pressure & Compound

Pressure - single scale (kg/cm ² or bar)					Compound - single scale (kg/cm ² or bar)
0/1.6	0/10	0/60	0/400		
0/2.5	0/16	0/100	0/600		-1/5
0/4	0/25	0/160	0/1000		-1/9
0/6	0/40	0/250	0/1600		-1/15

Dual scale (psi with kg/cm²)

psi	kg/cm ²	psi	kg/cm ²	psi	kg/cm ²	psi	kg/cm ²
0/25	0/1.6	0/220	0/16	0/1500	0/100	0/10000	0/700
0/35	0/2.5	0/300	0/20	0/2200	0/160	0/15000	0/1000
0/60	0/4	0/400	0/28	0/3000	0/200	0/22000	0/1600
0/100	0/7	0/600	0/40	0/4000	0/280		
0/150	0/10	0/1000	0/70	0/6000	0/400		

Accessories (Refer Datasheet for complete specifications)

EB Cooling tower	ED Over load protector (gauge saver)**	EG Snubber
EC Gauge cock	* Needle valve	EH Siphon

* Refer catalogue for Valves & Manifolds

** For Pressure Ranges.

How To Order				Example
Basic Model				BJ
Code				
Nominal Size	F	H		X
	100 mm	150 mm		
Type of Mounting				
1	Wall, surface, projection mounting with bottom entry	5	Flush panel back entry with front flange	X
2	Direct bottom entry	9	Back entry with mounting bracket	
3	Direct lower back entry			
Electric Contacts (C€ & Atex approved)				
A) Single insulated magnetic snap action type (230 V AC, 1 Amp.)(48 V DC, 0.5 Amp.)		B) Inductive type (220 V AC, 0.4 Amp.)		
RJ	Single; normally closed (1 NC)	YW	Single; normally open (1 NO)	XX
RK	Double; normally closed + normally open (1 NC +1 NO)	YV	Single; normally closed (1 NC)	
RL	Single; normally open (1 NO)	YX	Double; normally closed + normally open (1 NC +1 NO)	
RM	Double; normally open + normally closed (1 NO + 1 NC)	YY	Double; normally open (both NO)	
RN	Double; normally closed (both NC)	YZ	Double; normally closed (both NC)	
RO	Double; normally open (both NO)	ZA	Double; normally open + normally closed (1 NO + 1 NC)	
RU	Booster with relay for current upto 5 Amp.			
RA	SPDT			
RC	DPDT			
Gauge Connection				
3BM	3/8" BSP (M) Standard	2NM	1/4" NPT (M)	XXX
4BM	1/2" BSP (M) Standard	4NM	1/2" NPT (M) Standard	
		4TM	1/2" BSPT (M)	
		4MM	M20 x 1.5 (M)	
Note : Connections like Metric/ PT/ PF/ Flaired/ UNF/ G/ R etc can be provided on request.				
Range				0/10 kg/cm ²
Refer range table				
Options				
TI	Monel bourdon & socket (Monel version)**	TF	Conformity as per NACE standard	XX
PS	AISI 316 SS case & bezel*	RH	Custom designed dial##	
PW	Five point calibration certificate	QB	Integral dampening screw (AISI 316 SS)	
ZZ	Dielectric oil filled#	FL	Integral dampening screw (Monel)**	
SX	SS tag plate	SA	Internal overpressure stop	
SW	Dial tag marking	SB	Internal vacuum stop	
TB	Helium leak test	SF	Movement with dampening jelly	
GH	Material test certificates***			

* Consult factory for minimum order quantity & delivery. # BOD, gasket & filling plug of Viton.

**Integral dampening screw will be in monel if ordered. Refer option FL. ## Consult factory for dial design approval.

*** Material test certificates will be provided for wetted parts only with chemical composition testing. For others, Please consult factory.

Ordering Example: BJ . X . X . XX . XXX . 0/10kg/cm² . XX

For other optional items, please contact factory for delivery and minimum quantity of order.

Note : Specifications and dimensions given in this product catalogue represents the state of engineering at the time of printing.

Modifications may take place and materials specified may be replaced by others without prior notice.